



# Laser Sketch

---

Walker Chan

Sharon Chou

Huy Nguyen

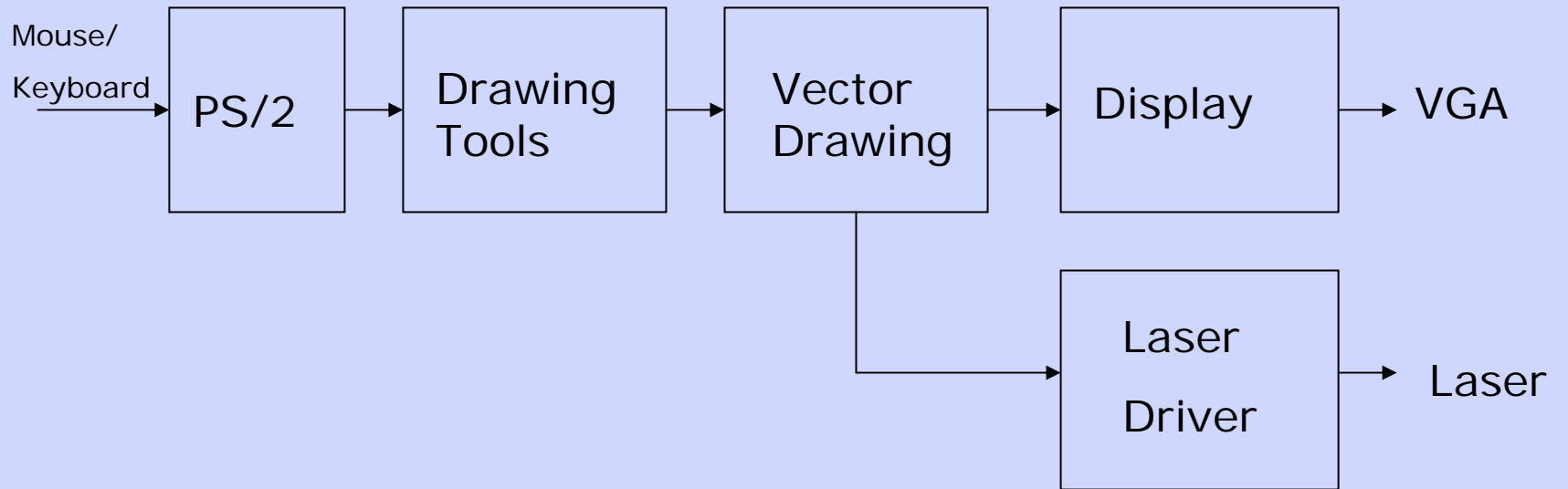


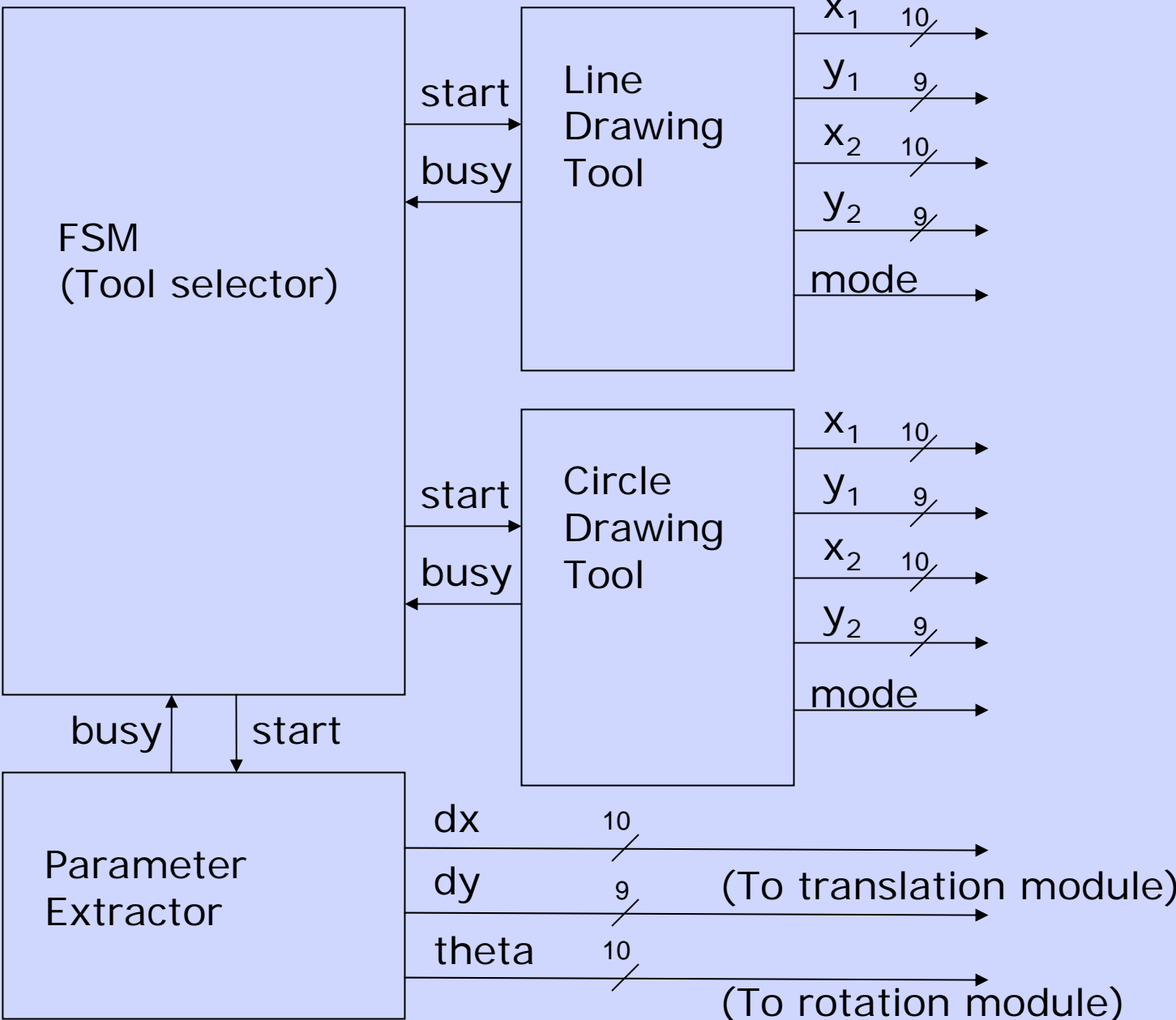
# Project Goals

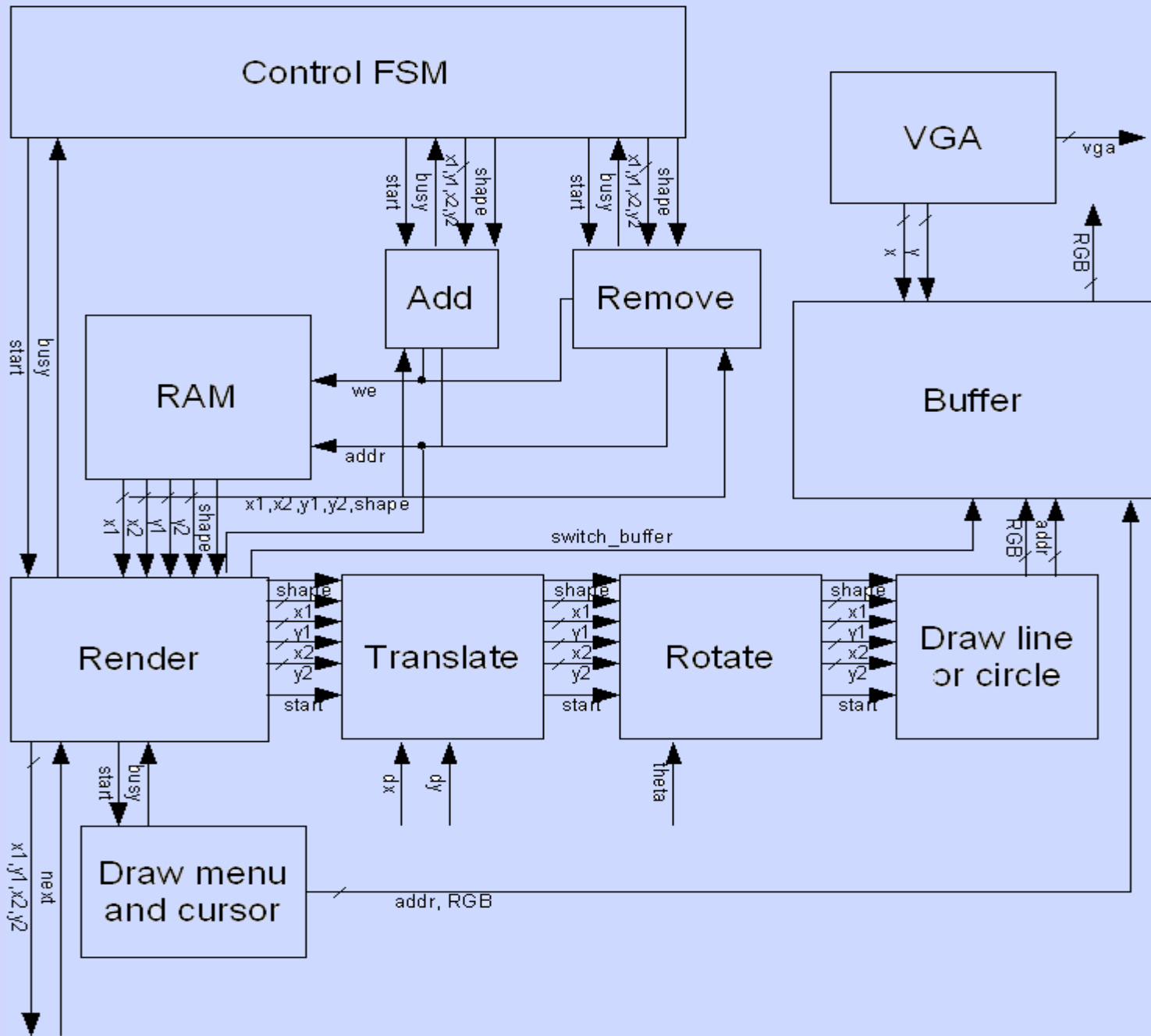
---

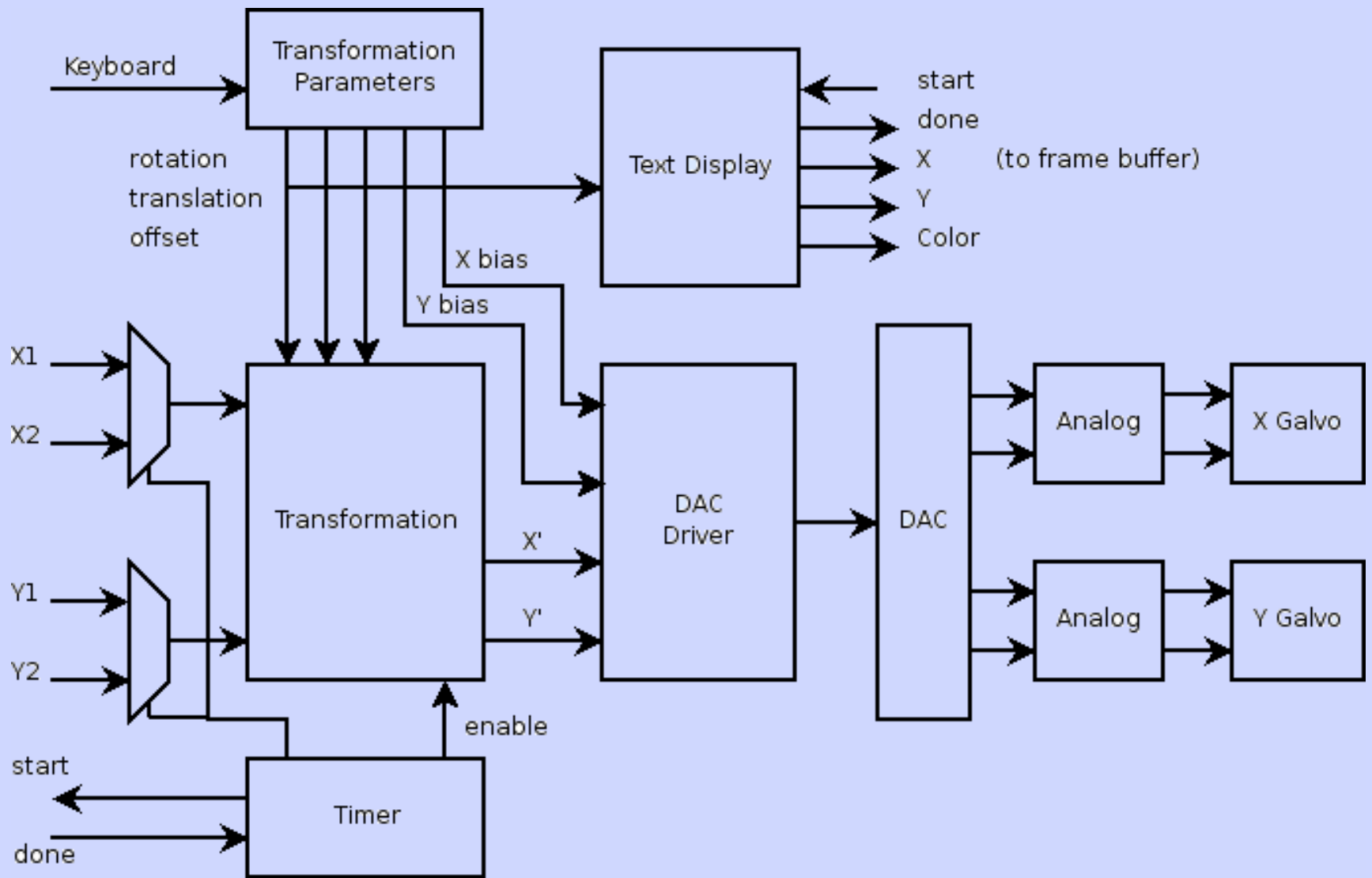
- Vector-based drawing
- Mouse and keyboard input
- Shape manipulation
- VGA output with double buffer
- Laser output

# High-Level Block Diagram









# Questions?

