

MASSACHUSETTS INSTITUTE OF TECHNOLOGY
Department of Electrical Engineering and Computer Science

6.012
Microelectronic Devices and Circuits

Spring 2005
May 6, 2005 - Homework 9
NOT FOR GRADE

Reading: Chapter 9: Sections 9.1-9.5

1. Howe and Sodini P9.7. Do not assume $V_{GS}-V_{Tn} = 0.3V$, but you may assume $V_{BE}=0.7V$.
2. Howe and Sodini P9.8
3. Howe and Sodini P9.9
4. Howe and Sodini P9.14. Use the following figure if Figure P9.14 in your book doesn't look like a cascade current source.

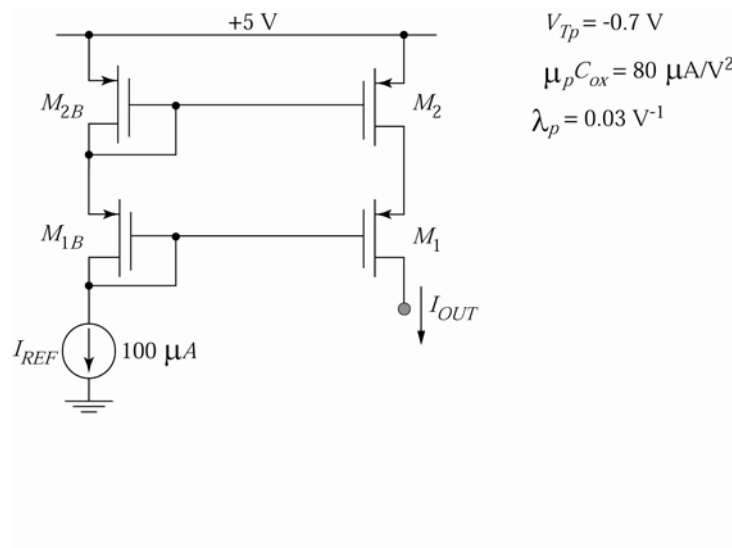


Figure P9.14

5. Howe and Sodini P9.17